

Powerful mid-range electric pallet truck for indoor and outdoor use.

Powerful lithium-ion battery with easy battery exchange.

Automatic speed adjustment when cornering for confident driving.

PIN code access to protect against unauthorized truck usage.

Reliable Jungheinrich quality with durable components.



Electric pedestrian pallet truck – AME 15

Load capacity: 3,300 lbs.

Our flexible and cost-effective AME 15 electric pallet truck is an economical mid-range model in the electric hand pallet truck segment. It is the perfect assistant when used on board transport trucks or for daily pallet transport.

Thanks to its compact design and extremely low service weight, it is especially advantageous in confined spaces and weight-sensitive environments. Automatically reduced speed when cornering and slow travel mode for increased driving control help put extra control in the operators' hands.

The maintenance-free lithium-ion battery provides maximum availability, while the opportunity charging function adds further performance gains. The ergonomic control panel and PIN code access make handling easier for the operator.

 **JUNGHEINRICH®**

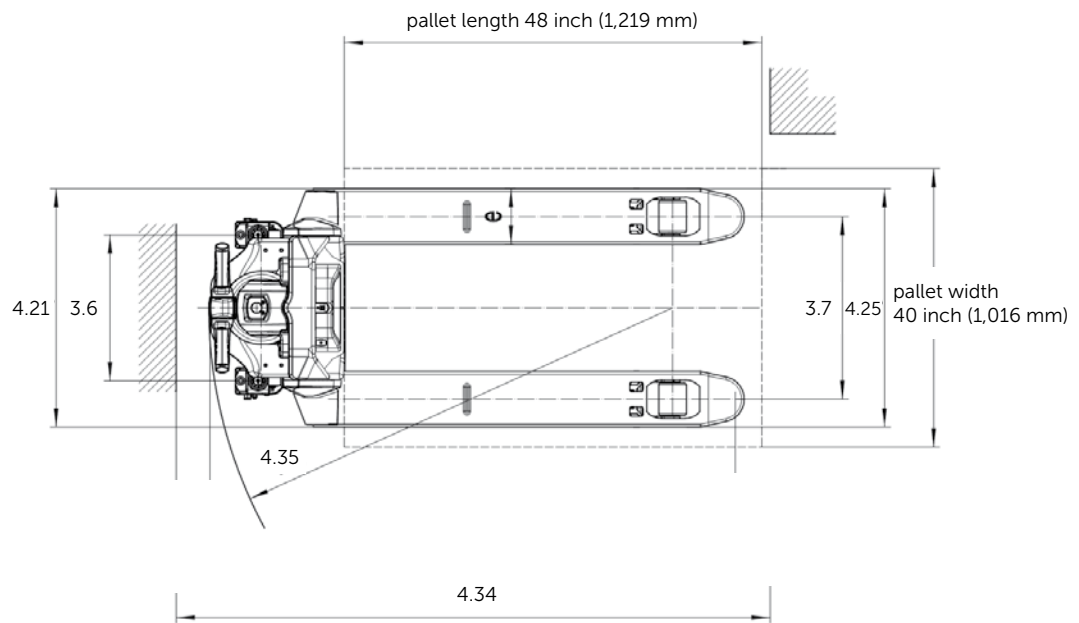
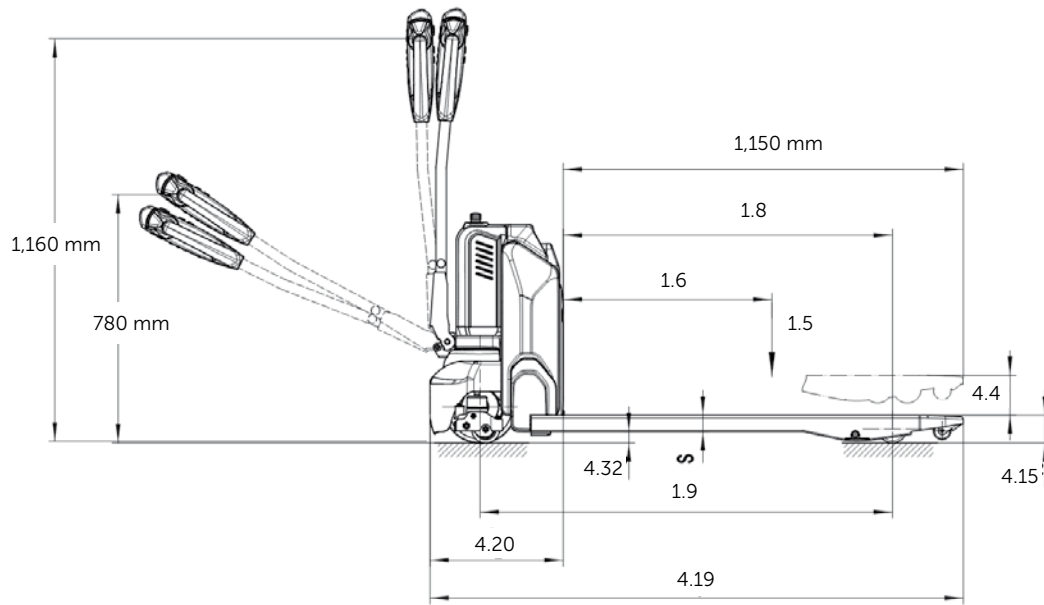
Technical data

as of: 05/2024

| | | | | | | | |
|-----------------|----------------|---|--------------------------------|----------|-------|-----------------------------|------------------|
| Characteristics | 1.1 | Manufacturer | | | | Jungheinrich | |
| | 1.2 | Model | | | | AME 15 (685 x 1,150) | |
| | 1.3 | Drive | | | | electric | |
| | 1.4 | Type of operation | | | | pedestrian | |
| | 1.5 | Load capacity / rated load | Q | lbs | kg | 3,307 | 1,500 |
| | 1.6 | Load center distance | c | in | mm | 23.6 | 600 |
| | 1.8 | Load distance, center of drive axle to fork | x | in | mm | 37.3 | 947 |
| | 1.9 | Wheelbase | y | in | mm | 46.6 | 1,183 |
| | Weights | 2.1.1 | Service weight (incl. battery) | | lbs | kg | 309 |
| 2.2 | | Axle loading – loaded, drive / load | | lbs | kg | 1,411 / 2,205 | 640/1,000 |
| 2.3 | | Axle loading – unloaded, drive / load | | lbs | kg | 249 / 60 | 113/27 |
| Chassis | 3.1 | Tires | | | | PU (polyurethane) | |
| | 3.2 | Tire size - drive | | | | Ø 210 x 70 | |
| | 3.3 | Tire size - load | | | | Ø 80 x 93 | |
| | 3.4 | Additional wheels – dimensions | | | | Ø 80 x 30 | |
| | 3.5 | Wheels – number, drive / load (x = driven wheels) | | | | 1x/2 | |
| | 3.6 | Tread width, front | b ₁₀ | in | mm | 16.5 | 420 |
| | 3.7 | Tread width, rear | b ₁₁ | in | mm | 20.7 | 525 |
| | 4.4 | Maximum fork height (MFH) | h ₃ | in | mm | 4.5 | 115 |
| | 4.9 | Handle height in drive position – minimum / maximum | h ₁₄ | in | mm | 30.7 / 45.7 | 780 / 1,160 |
| | 4.15 | Lowered fork height | h ₁₃ | in | mm | 3.1 | 80 |
| | 4.19 | Length to fork face – headlength | l ₁ | in | mm | 60.2 | 1,530 |
| | 4.20 | Length including fork shank | l ₂ | in | mm | 15.0 | 380 |
| | 4.21.1 | Overall width | b ₁ | in | mm | 27.0 | 685 |
| | 4.22 | Fork dimensions | s / e / l | in | mm | 1.9 / 6.3 / 45.3 | 47 / 160 / 1,150 |
| | 4.25 | Width across forks | b ₅ | in | mm | 27.0 | 685 |
| | 4.32 | Ground clearance – center of wheelbase | m ₂ | in | mm | 1.3 | 33 |
| | 4.34.2 | Aisle width (for 40 x 48 inch pallet lengthways) | Ast | in | mm | 70.2 | 1,783 |
| 4.35 | Turning radius | Wa | in | mm | 52.4 | 1,330 | |
| Performance | 5.1 | Travel speed – loaded / unloaded | | mph | kph | 2.9 / 3.0 | 4.6 / 4.8 |
| | 5.2 | Lift speed – loaded / unloaded | | ft / min | m / s | 3.9 / 3.9 | 0.02 / 0.02 |
| | 5.3 | Lowering speed – loaded / unloaded | | ft / min | m / s | 9.8 / 7.9 | 0.05 / 0.04 |
| | 5.8 | Maximum gradeability – loaded / unloaded | | | | 6/16 | |
| | 5.10 | Service brake | | | | electromagnetic | |

This specification sheet only provides technical values for the standard truck. Non-standard tires, different masts, additional equipment, etc., could produce other values. Rights reserved for technical changes and improvements.

AME 15



The Jungheinrich Advantage



Efficiency

Maximum performance with the most efficient trucks.

Our AME 15 pallet truck is well equipped for multi-shift operational tasks thanks to state-of-the-art lithium-ion technology and opportunity charging. Smart functions such as CAN bus fault diagnostics or PIN code access also increase efficiency.

Maintenance-free lithium-ion battery

- Excellent cost efficiency thanks to longer life cycles and maintenance-free operation.
- The lithium-ion battery enables flexible use thanks to convenient opportunity charging both on and off the machine.
- Efficient charging processes without expensive charging infrastructure.

Innovative technology

- CAN bus fault diagnostics to guarantee trouble-free truck operation.
- PIN code access to prevent unauthorized use.



Control

Helping to set the stage for working safely.

Safety in your warehouse is our priority. That is why we equip our AME 15 electric pallet trucks with advanced driving functions to help ensure that your employees and the goods being transported are always well protected.

High level of safety

- Automatic speed reduction when cornering helps maintain stability and facilitates handling.
- Crawl speed for driving with the tiller in vertical position for work in confined spaces such as elevators and transport vehicles.
- Robust steel frame for improved protection against damage.

Precise navigation

- Spring-loaded tiller for easy and ergonomic operation.
- Easy handling due to the ergonomic control panel which is suitable for left and right-handed users.



Individuality

A forklift truck as individual as your business.

When it comes to the lifting and moving of goods, efficiency is our greatest goal. The Jungheinrich AME 15 electric pallet truck easily masters a wide range of tasks in your daily pallet transport.

Controlled work

- Precise control of fork insertion depth to prevent damage to pallets or trucks.
- Protected entry rollers for seamless pallet entry and transportation.

Parts when you need them

- Jungheinrich's Parts Fast or Parts Free Guarantee ensures next-business-day delivery by 5:00 PM of all Jungheinrich parts in the United States, or they're free, including freight. For customers in Canada and Mexico, the guarantee ensures shipping of parts within 24 hours from the time the order was placed by the dealer. See your local Jungheinrich dealer for program details.

* Programs may be subject to change without notice and may vary by region. Please ask your local Jungheinrich dealer for complete terms and conditions.

** The product shown may be different than the actual configuration based on market requirements.