



CUSHION TIRE FORKLIFT

3,000-8,000 LB CAPACITY IC MODELS

DURABILITY AND STRENGTH YOU CAN RELY ON



BUILT FOR UPTIME

TO KEEP YOUR OPERATION RUNNING.



- Built-in features to protect the truck
- Limiting downtime with increased ease of serviceability
- More time between scheduled maintenance
- Real time communication from the truck itself

Protect your margins and your productivity with trucks designed to stay running.

A Truck That Keeps Its Cool: The effective cooling system of the truck is equipped with a 10-blade fan and aluminum radiator that utilizes cross flow cooling to make sure that fluids are kept at a temperature that are conducive to maintaining strong levels of performance and operation. Additionally, the engine compartment is constantly cooled while it works by way of its bottom bypass airflow design.



Minimizing the Downtime That Has to Happen: All forklifts require time to take care of the things that matter to maintain the health of the truck, but with 800 hour extended service intervals, these occurrences can be kept to a minimum. And whenever it comes to the regular tasks required every shift, the critical components are easily accessible for daily checks and there are a number of LP tank bracket options that can help to minimize the effort to switch out the tank for operators of all sizes when its time to refuel.



Awareness and Alerts: The truck is able to communicate in a number of ways, including audible and visual alerts to keep the operator informed. Service interval alerts can also be programmed into the truck so there is no question when scheduled maintenance needs to take place.

Parking Brake Transmission Interlock

This feature ensures that when the parking brake is activated, the transmission of the truck cannot engage in travel which can protect the brakes and transmission from potentially damaging activity.



Additional Options To Better Fit Your Needs

- Sideshifter and Fork Positioner options
- Fuel Saver Mode
- Swing Down LP Tank Bracket
- Radiator Screen
- Air Intake Pre-Cleaner
- Debris Packages
- Variety of Working and Combination Lights
- Smooth Shift
- Joystick Control
- Fingertip Control
- Smart Back-Up Alarm
- Seatbelt/Transmission and Mast Interlock-Variety of Accessories

Ask your local dealer about the available options for improved performance, productivity and operator comfort.

THE COMPLETE OPERATOR EXPERIENCE.

POWER + MANEUVERABILITY + AWARENESS + COMFORT = PRODUCTIVITY



- Smooth, powerful and efficient engines
- Maneuverability and control
- Emissions and regulations compliance

A smaller chassis developed to pack a bigger punch when it comes to productivity.

Proven Powered Performance:

The FGC15N-FGC40CN forklifts have proven high levels of output and torque when the application demands it, without sacrificing the optimization of the combustion process, by way of the electronic fuel injection system. The three electronic control modules are in constant communication with each other to precisely manage the process through CAN communication, mastering the delicate balance of fuel efficiency and force.



All About Fitting In

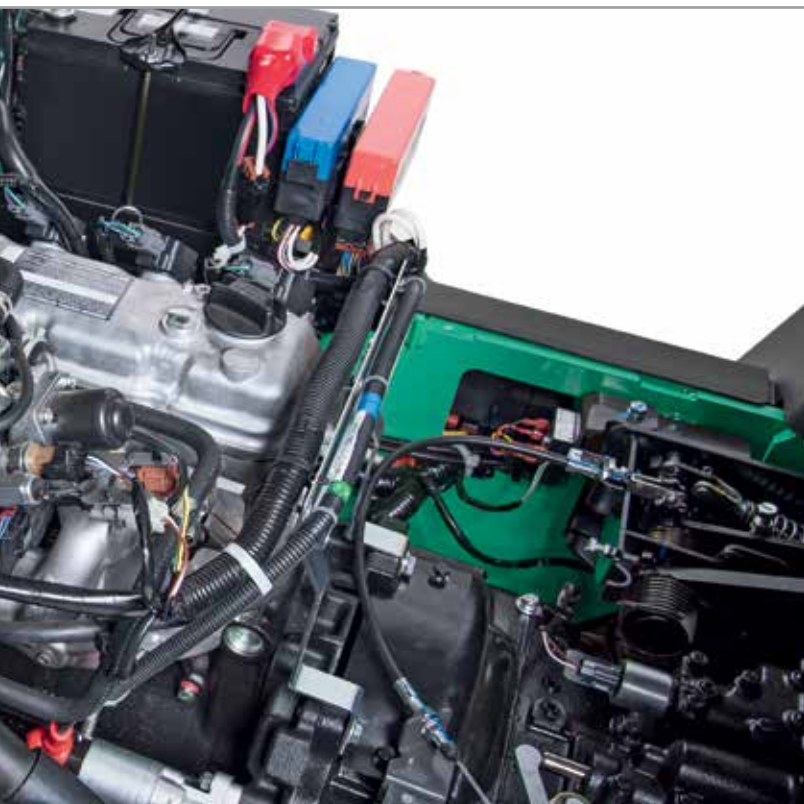
Maintaining capacity retention with a smaller chassis footprint allows these forklifts to maneuver in and out of the confined spaces that can exist in a number of warehousing applications, where other lift trucks cannot. Combining the small footprint with the hydrostatic power steering means that operators can confidently work to get product in and out of even the tightest of locations.

Operator Awareness

Whether it is awareness of the status of the truck through the diagnostic display or awareness of their surroundings by way of excellent visibility in all directions from the seat, operator's are free to effectively achieve their goals with enhanced confidence that they are using a forklift designed to get the job done.

Ergonomic Features

A low entry step and three points of contact allow entry and exit into the spacious operator compartment with little effort or stress. Once seated, the operator can adjust both the comfort vinyl seat and adjustable steering column to ensure that they are in the most comfortable position possible, regardless of the length of the shift.



CHARACTERISTICS			FGC15N		FGC18N		FGC20CN		FGC20N		
1	Capacity – at rated load center	lb	kg	3,000	1,350	3,500	1,600	4,000	1,800	4,000	1,800
2	Capacity – at load center-distance	in	mm	24	600	24	600	24	600	24	600
3	Power – diesel, gasoline, LP gas, electric			LP - G/LP		LP - G/LP		LP - G/LP		LP - G/LP	
4	Tire type – cushion or pneumatic			Cushion		Cushion		Cushion		Cushion	
5	Wheels (x = driven) – number front / rear			2x / 2		2x / 2		2x / 2		2x / 2	
DIMENSIONS											
7	Lift with standard two-stage mast – maximum fork height	in	mm	130	3,300	130	3,300	130	3,300	130	3,300
8	Lift with standard two-stage mast – free fork height	in	mm	4	100	4	100	4	100	4.2	105
9	Forks – thickness x width x length	in	mm	1.5x4x42	40x100x1,070	1.5x4x42	40x100x1,070	1.5x4x42	40x100x1,070	1.5x4x42	40x100x1,070
	Fork spacing – out-to-out minimum / maximum	in	mm	7.8 / 32.4	200 / 823	7.8 / 32.4	200 / 823	7.8 / 32.4	200 / 823	7.8 / 36.0	200 / 920
10	Tilt – forward / backward	deg		5° / 10°		5° / 10°		5° / 10°		5° / 10°	
11	Length to fork face	in	mm	81.9	2,080	81.9	2,080	84.4	2,145	89	2,260
12	Width – with standard tires	in	mm	38.2	970	38.2	970	38.2	970	36.2	920
13	Height – mast lowered	in	mm	82.9	2,105	82.9	2,105	82.9	2,105	83.1	2,110
14	Height – seat height	in	mm	42.0	1,068	42.0	1,068	42.0	1,068	43.0	1,093
15	Height – top of overhead guard	in	mm	81.1	2,060	81.1	2,060	81.1	2,060	82.1	2,085
16	Height – mast extended	in	mm	179.3	4,555	179.3	4,555	179.3	4,555	179.3	4,555
17	Minimum outside turning radius	in	mm	68.3	1,735	68.3	1,735	70.9	1,800	76	1,930
18	Load moment constant	in	mm	15.4	390	15.4	390	15.4	390	16.1	410
19	Minimum aisle - 90° stack - zero clearance w/out load ¹	in	mm	83.7	2,125	84.9	2,155	84.9	2,155	92.1	2,340
PERFORMANCE											
20	Travel speed loaded / empty	mph	km/h	10.9	17.5	10.9	17.5	10.9	17.5	10.6	17
21	Lift speed loaded / empty	fpm	mm/s	122/127.9	620/650	122/127.9	620/650	122/127.9	620/650	122/127.9	620/650
22	Lowering speed loaded / empty	fpm	mm/s	98.4	500	98.4	500	98.4	500	98.4	500
23	Drawbar pull – loaded maximum	lb	N	3,417	1,550	3,417	1,550	3,417	1,550	3,638	1,650
24	Gradeability – maximum (1.2 mph) loaded / empty	%		38 / 20		38 / 18		38 / 16		33 / 21	
WEIGHT											
25	Empty – standard tires	lb	kg	5,980	2,710	6,420	2,910	6,830	3,100	7,130	3,235
26	Axle load – with load front / rear	lb	kg	7,720/1,260	3,620/590	8,485/1,435	3,985/675	9,240/1,590	4,350/750	9,730/1,400	4,575/660
	Axle load – without load front / rear	lb	kg	2,200/3,780	995/1,715	2,045/4,375	925/1,985	1,880/4,950	855/2,245	2,815/4,315	1,275/1,960
CHASSIS											
27	Tire size – front, standard	in		18x6x12.13		18x6x12.13		18x6x12.13		21x7x15	
28	Tire size – rear	in		14x5x10		14x5x10		14x5x10		16.25x6x11.25	
29	Wheelbase	in	mm	46.9	1,190	46.9	1,190	46.9	1,190	55.1	1,400
30	Tread width – front, standard tires	in	mm	32.3	820	32.3	820	32.3	820	35	890
31	Tread width – rear, standard tires	in	mm	32.3	820	32.3	820	32.3	820	35	890
32	Ground clearance – at lowest point of mast	in	mm	3.0	75	3.0	75	3.0	75	3.1	80
33	Ground clearance – at center of wheelbase	in	mm	4.3	110	4.3	110	4.3	110	4.1	105
34	Service brakes	type		drum / foot		drum / foot		drum / foot		drum / foot	
35	Parking brakes	type		hand / mechanical		hand / mechanical		hand / mechanical		hand / mechanical	
POWERTRAIN											
36	Engine model			GK21		GK21		GK21		GK21	
37	Continuous output (S.A.E. gross)	HP	kW	55	41	55	41	55	41	55	41
		at rpm		2,700		2,700		2,700		2,700	
38	Maximum torque (S.A.E. gross)	lb-ft	Nm	111.4	151	111.4	151	111.4	151	111.4	151
		at rpm		2,000		2,000		2,000		2,000	
39	Cylinder / displacement	cu in	L	126	2,065	125	2,065	125	2,065	126	2,065
40	Transmission type			automatic		automatic		automatic		automatic	
41	Number of speeds forward / reverse			1 / 1		1 / 1		1 / 1		1 / 1	
42	Battery	volts		12		12		12		12	
HYDRAULICS											
43	Relief pressure – For attachments at auxiliary valve	psi	bar	1,840	127	1,840	127	1,840	127	1,840	127

SAFETY STANDARDS

These trucks meet American National Standards Institute/Industrial Truck Standards Development Foundation, ANSI/ITSDF B56.1. UL-Classified by Underwriters Laboratories, Inc., as to fire and electric shock hazard only; Type LP, LPS (optional), Industrial Trucks. Users should be aware of, and adhere to, applicable codes and regulations regarding operator training, use, operation and maintenance of powered industrial trucks, including:

- ANSI/ITSDF B56.1.
- NFPA 505, fire safety standard for powered industrial trucks - type designations, areas of use, maintenance and operation.
- Occupational Safety and Health Administration (OSHA) regulations that may apply.

Specifications, equipment, technical data, photos and illustrations based on information at time of printing and subject to change without notice. Some products may be shown with optional equipment.

FGC15N-FGC40CN

3,000-8,000 LB CAPACITY CUSHION TIRE FORKLIFT

Delivering Exceptional Value

More Than 296,000 Parts To Keep You Running

Mitsubishi Forklift Trucks offers several parts programs, all designed to bring you top performance and convenience for your material handling needs. Contact your local dealer to put our services to work for you.

Support To Fit Your Operation

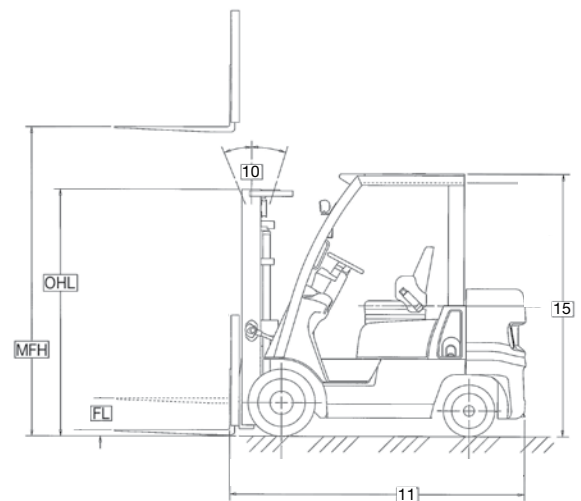
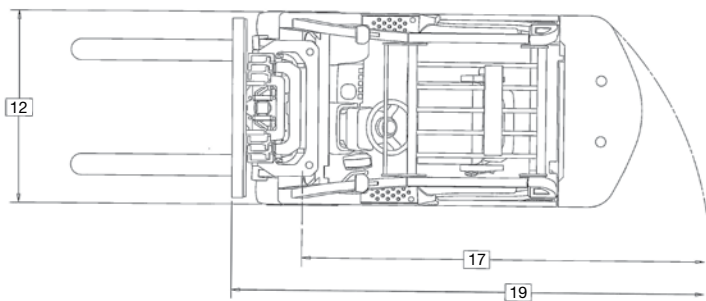
Find out why more companies are relying on Mitsubishi forklift truck dealers to keep their fleet operating at top performance. Our efficiency provides customers with a better return on investment, and qualified service technicians, diverse parts inventory and unparalleled selection of service options can help reduce your total cost of ownership.

Extensive Dealer Network

The Mitsubishi forklift truck dealer network is dedicated to finding the right forklift solution for your business. With more than 300 dealer locations, you can rely on your local dealer to provide the service you need when you need it most.



Manufactured with superior quality and exceptional value, Mitsubishi forklift trucks are supported by an extensive dealer and field support network located throughout North and South America. Don't forget to ask your local Mitsubishi forklift truck dealer about details on factory retail programs, financing plans and additional options and dealer services like planned maintenance and operator training.



© 2024 Mitsubishi Logisnext Americas Inc. All rights reserved. All registered trademarks are the property of their respective owners.

Some products may be shown with optional equipment.

MECT0302-02

05/24

